

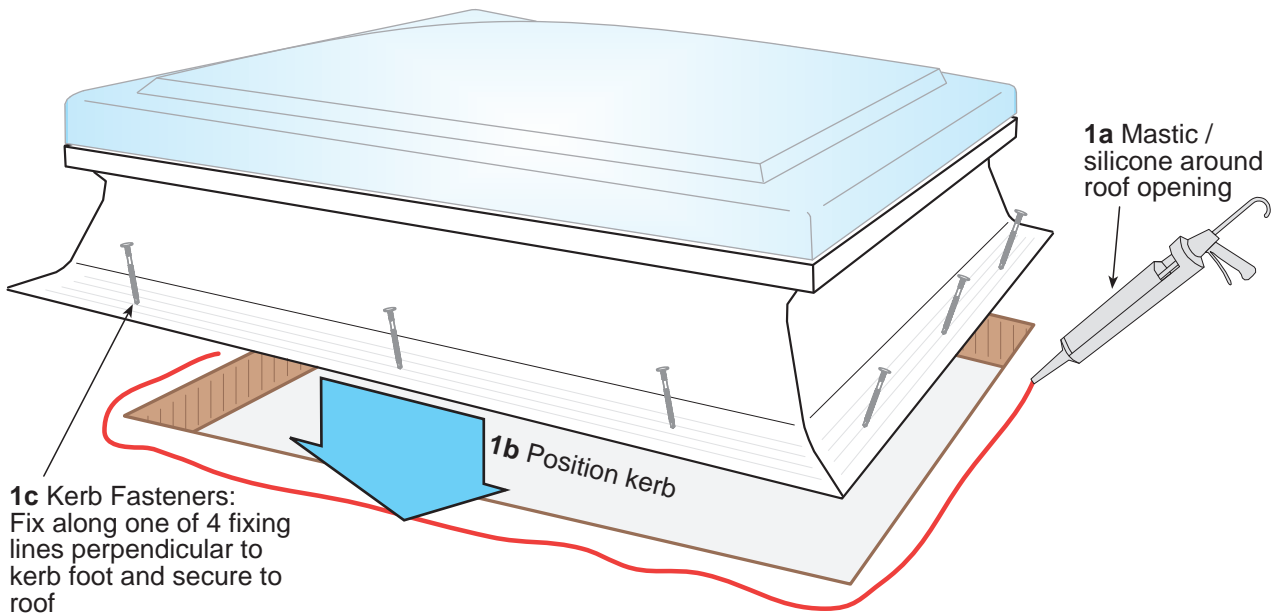
Daylight Systems

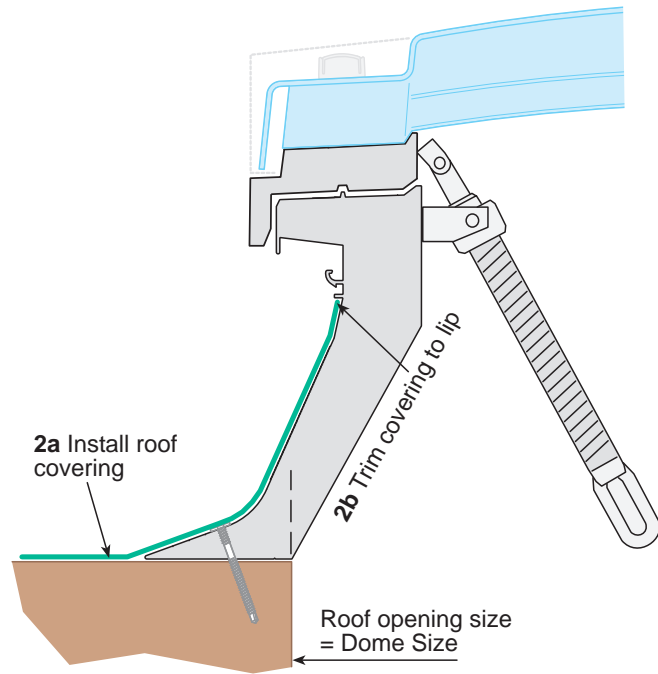
Installation: Mardome Trade & Ultra with sloping kerb Manual Linear Drive Opener

<p>Mardome with manual opener</p> <p><i>(Please unpack and check all parts are included and undamaged)</i></p>	<p>Parts in this Mardome kit</p>		<p>Length of side</p>				
	<p>Number per side</p>	<p>Kerb fastener</p> <p>55mm</p>	<p>600, 750</p>	<p>900, 1050, 1200</p>	<p>1350, 1500</p>	<p>1800</p>	<p>2400</p>
		<p>Opening pole</p>	<p>2</p>	<p>3</p>	<p>4</p>	<p>5</p>	<p>5</p>
		<p>(Packaged in packs of 5)</p>					
		<p>1</p>					
		<p>(Optional)</p>					

Kerb Installation

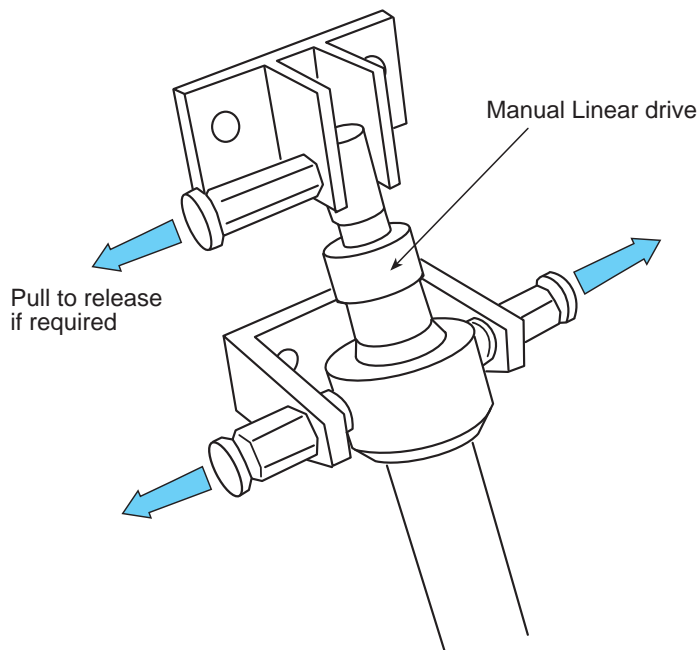
Please note: Kerb must be installed with hinges facing up-slope





Further Information

Manual Linear Drive dis-connection, if required



Coventry
Alderman's Green Ind Est
Coventry
CV2 2QU
Tel: 024 7660 2022
Fax: 024 7660 2745
e-mail: daylight@brettmartin.com
www.daylightsystems.com



Daylight Systems